

DAMEN ANCHOR & CHAIN FACTORY

TRIANGLE PLATE

DAMEN

DAMEN ANCHOR & CHAIN FACTORY

Admiraal de Ruyterstraat 24
3115 HB Schiedam

P.O. Box 22
3100 AA Schiedam
The Netherlands

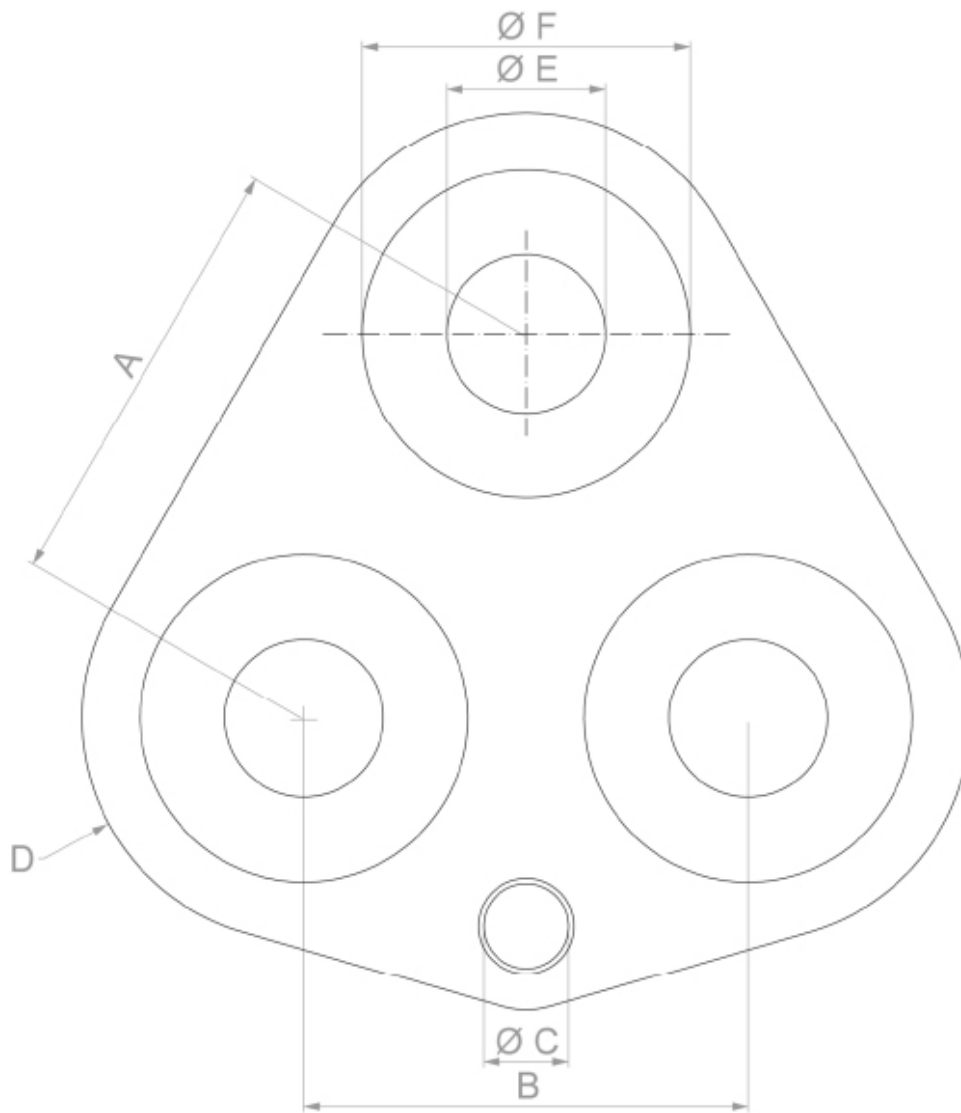
phone +31 (0)10 204 19 28

Member of the DAMEN SHIPYARDS GROUP



akf@akfanchorchain.nl
www.akfanchorchain.com

PRODUCT SHEET TRIANGLE PLATE



TYPE (mn)

APPROXIMATE DIMENSIONS (mm)

| TYPE (mn) | A | B | C | D | E | F | PL (kn) | M BL (kn) |
|-----------|-----|-----|----|-------|-----|-----|---------|-----------|
| 1 | 210 | 210 | 40 | R 105 | 75 | 155 | 1000 | 3000 |
| 2 | 320 | 320 | 50 | R 150 | 110 | 285 | 2000 | 6000 |
| 3 | 390 | 390 | 60 | R 215 | 140 | 288 | 3000 | 9000 |