

DAMEN ANCHOR & CHAIN FACTORY

SWIVEL FORERUNNER

DAMEN

DAMEN ANCHOR & CHAIN FACTORY

Admiraal de Ruyterstraat 24
3115 HB Schiedam

P.O. Box 22
3100 AA Schiedam
The Netherlands

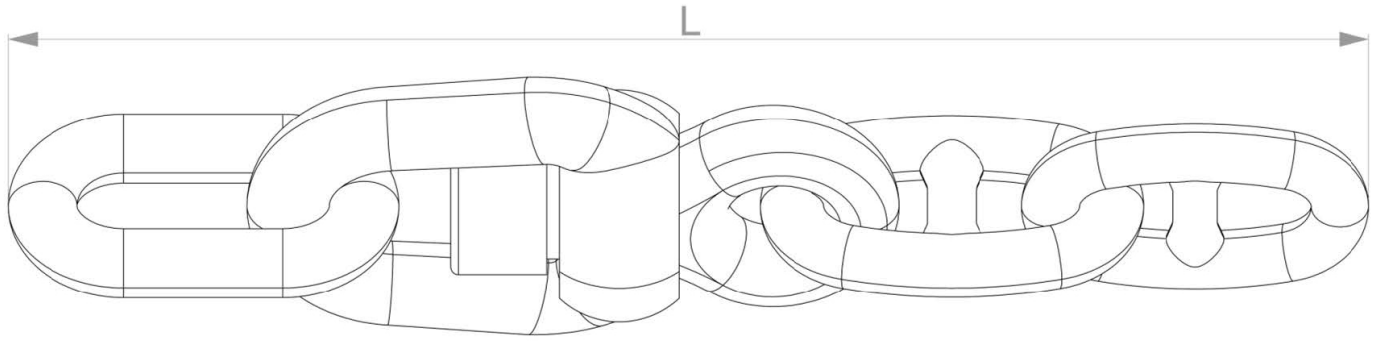
phone +31 (0)10 204 19 28

Member of the DAMEN SHIPYARDS GROUP

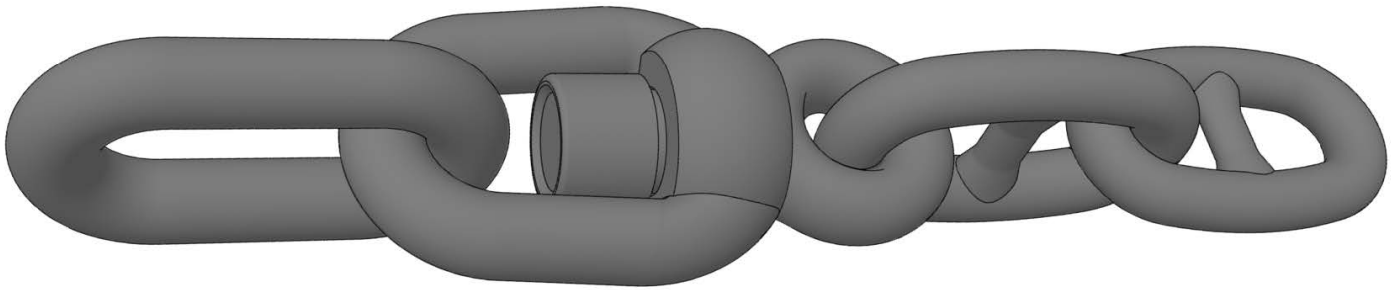


akf@akfanchorchain.nl
www.akfanchorchain.com

PRODUCT SHEET SWIVEL FORERUNNER

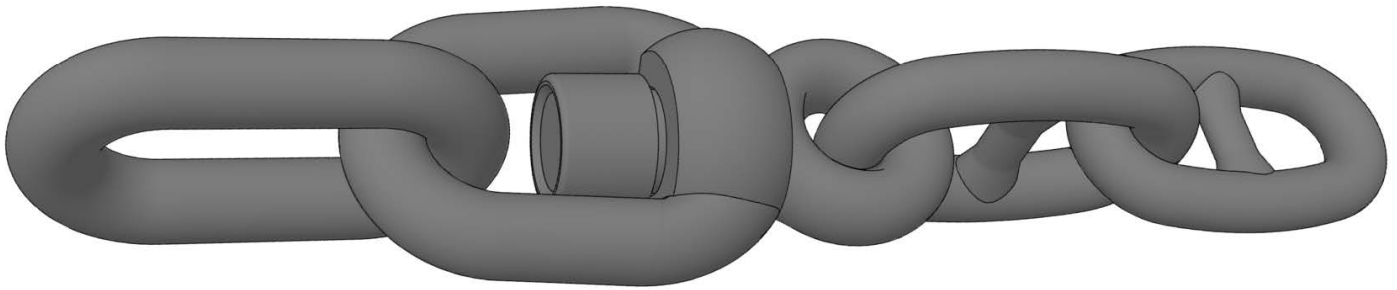


CHAIN DIAMETER (mm)	LENGTH (mm)	CHAIN DIAMETER (mm)	LENGTH (mm)	CHAIN DIAMETER (mm)	LENGTH (mm)
12.5	251	50	1003	97	1945
14	281	52	1043	100	2005
16	321	54	1083	102	2045
17.5	351	56	1123	105	2105
19	381	58	1163	107	2145
20.5	411	60	1203	111	2226
22	441	62	1243	114	2286
24	481	64	1283	117	2346
26	521	66	1323	120	2406
28	561	68	1363	122	2446
30	602	70	1404	124	2486
32	642	73	1464	127	2546
34	682	76	1524	130	2607
36	722	78	1564	132	2647
38	762	81	1624	137	2747
40	802	84	1684	142	2847
42	842	87	1744	147	2947
44	882	90	1805	152	3048
46	922	92	1845	157	3148
48	962	95	1905	162	3248



GRADES "1-2 AND 3"

CHAIN DIAMETER (MM)	PROOFLOAD			BREAKLOAD		
	GRADE 1 (kN)	GRADE 2 (kN)	GRADE 3 (kN)	GRADE 1 (kN)	GRADE 2 (kN)	GRADE 3 (kN)
12.5	46	66	-	66	92	-
14	58	82	-	82	115	-
16	76	107	150	107	150	216
17.5	89	127	179	127	179	256
19	105	150	211	150	211	301
20.5	123	175	244	175	244	349
22	140	200	280	200	280	401
24	167	237	332	237	332	476
26	194	278	389	278	389	556
28	225	321	449	321	449	642
30	257	368	514	368	514	735
32	291	417	583	417	583	833
34	328	468	655	468	655	937
36	366	523	732	523	732	1050
38	406	581	812	581	812	1160
40	448	640	896	640	896	1280
42	492	703	981	703	981	1400
44	538	769	1080	769	1080	1540
46	585	837	1170	837	1170	1680
48	635	908	1280	908	1280	1810
50	686	981	1370	981	1370	1960
52	739	1060	1480	1060	1480	2110
54	794	1140	1590	1140	1590	2270
56	851	1220	1710	1220	1710	2430
58	909	1290	1810	1290	1810	2600
60	969	1380	1940	1380	1940	2770
62	1030	1470	2060	1470	2060	2940
64	1100	1560	2190	1560	2190	3130
66	1160	1660	2310	1660	2310	3300
68	1230	1750	2450	1750	2450	3500
70	1290	1840	2580	1840	2580	3690
73	1390	1990	2790	1990	2790	3990
76	1500	2150	3010	2150	3010	4300
78	1580	2260	3160	2260	3160	4500
81	1690	2410	3380	2410	3380	4820
84	1810	2580	3610	2580	3610	5160
87	1920	2750	3850	2750	3850	5500
90	2050	2920	4090	2920	4090	5840
92	2130	3040	5260	3040	5260	6080
95	2260	3230	4510	3230	4510	6440
97	2340	3350	4680	3350	4680	6690
100	2470	3530	4940	3530	4940	7060
102	2560	3660	5120	3660	5120	7320
105	2700	3860	5390	3860	5390	7700
107	2790	3980	5570	3980	5570	7690
111	2970	4250	5940	4250	5940	8480
114	3110	4440	6230	4440	6230	8890
117	3260	4650	6510	4650	6510	9300
120	3400	4860	6810	4860	6810	9720



GRADES "1-2 AND 3"

CHAIN DIAMETER (MM)	PROOFLOAD			BREAKLOAD		
	GRADE 1 (kN)	GRADE 2 (kN)	GRADE 3 (kN)	GRADE 1 (kN)	GRADE 2 (kN)	GRADE 3 (kN)
122	3500	5000	7000	5000	7000	9990
124	3600	5140	7200	5140	7200	10280
127	3750	5350	7490	5350	7490	10710
130	3900	5570	7800	5570	7800	11140
132	4000	5720	8000	5720	8000	11420
137	4620	6080	7510	6080	7510	12160
142	4520	6450	9030	6450	9030	12910
147	4790	6840	9560	6840	9560	13660
152	5050	7220	10100	7220	10100	14430
157	5320	7600	10640	7600	10640	15200
162	5590	7990	11170	7990	11170	15970